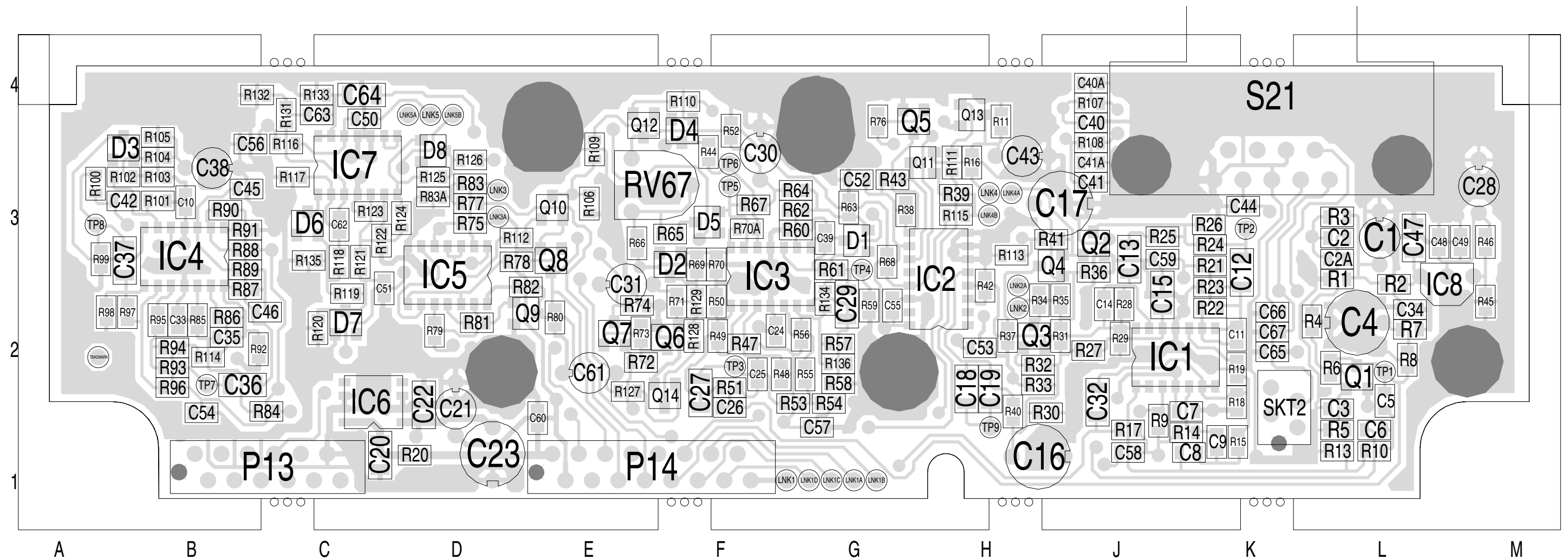


Ref	IPN	Description	Ref	IPN	Description	Ref	IPN	Description
C1	020-57470-10	CAP ELCT AI RDL 4U7 50V LO ESR				R71	036-15100-10	RES M/F 0805 10K 1%
C2	015-25220-08	CAP CER 0805 22N 10% X7R 50V	P13	240-00026-26	CONN PADLE BRD 12 W M-MATCH	R72	036-15100-10	RES M/F 0805 10K 1%
C3	015-24470-08	CAP CER 0805 4N7 10% X7R 50V	P13A	240-00020-51	PLUG 12 W 2*6 FLAT CABLE TERMM	R73	036-14470-10	RES M/F 0805 4K7 1%
C4	020-08470-45	CAP ELE RA 47M16V 6.3*6.5 5LS				R74	036-15470-10	RES M/F 0805 47K 1%
C5	015-25150-08	CAP CER 0805 15N 10% X7R 50V	Q1	000-10008-47	XSTR BC847B NPN SOT23	R75	036-15470-10	RES M/F 0805 47K 1%
C6	015-25150-08	CAP CER 0805 15N 10% X7R 50V	Q2	000-10008-47	XSTR BC847B NPN SOT23	R76	036-16220-00	RES M/F 0805 220K 5%
C7	015-23150-01	CAP CER 0805 150P 5% NPO 50V	Q3	000-10008-57	XSTR SMD BC857 PNP SOT23 SS	R77	036-10000-00	RES M/F 0805 ZERO OHM
C8	015-25150-08	CAP CER 0805 15N 10% X7R 50V	Q4	000-10008-47	XSTR BC847B NPN SOT23	R78	036-14470-10	RES M/F 0805 4K7 1%
C9	015-25150-08	CAP CER 0805 15N 10% X7R 50V	Q5	000-10008-47	XSTR BC847B NPN SOT23	R79	036-10000-00	RES M/F 0805 ZERO OHM
C10	015-23150-01	CAP CER 0805 150P 5% NPO 50V	Q6	000-10008-47	XSTR BC847B NPN SOT23	R80	036-15470-10	RES M/F 0805 47K 1%
C11	015-23680-08	CAP CER 0805 680P 10% X7R 50V	Q7	000-10008-57	XSTR SMD BC857 PNP SOT23 SS	R81	036-14100-10	RES M/F 0805 1K 1%
C12	015-06100-08	CAP CER 1206 100N 10% X7R 50V	Q8	000-10008-57	XSTR SMD BC857 PNP SOT23 SS	R82	036-15100-10	RES M/F 0805 10K 1%
C13	015-06100-08	CAP CER 1206 100N 10% X7R 50V	Q9	000-10008-47	XSTR BC847B NPN SOT23	R83	036-14470-10	RES M/F 0805 4K7 1%
C14	015-21470-02	CAP 0805 4P7 1% NPO 50V	Q10	000-10008-57	XSTR SMD BC857 PNP SOT23 SS	R84	036-15220-00	RES M/F 0805 22K 5%
C15	015-06100-08	CAP CER 1206 100N 10% X7R 50V	Q11	000-10008-47	XSTR BC847B NPN SOT23	R85	036-15220-00	RES M/F 0805 22K 5%
C16	020-08470-45	CAP ELE RA 47M16V 6.3*6.5 5LS	Q12	000-10008-47	XSTR BC847B NPN SOT23	R86	036-14270-10	RES M/F 0805 2K7 1%
C17	020-08470-45	CAP ELE RA 47M16V 6.3*6.5 5LS	Q13	000-10008-57	XSTR SMD BC857 PNP SOT23 SS	R87	036-15220-00	RES M/F 0805 22K 5%
C18	015-06100-08	CAP CER 1206 100N 10% X7R 50V	Q14	000-10008-47	XSTR BC847B NPN SOT23	R88	036-15100-10	RES M/F 0805 10K 1%
C19	015-06100-08	CAP CER 1206 100N 10% X7R 50V				R89	036-15220-00	RES M/F 0805 22K 5%
C20	015-06100-08	CAP CER 1206 100N 10% X7R 50V	R1	036-14470-10	RES M/F 0805 4K7 1%	R90	036-15120-00	RES M/F 0805 12K 5%
C21	020-57470-10	CAP ELCT AI RDL 4U7 50V LO ESR	R2	036-14270-10	RES M/F 0805 2K7 1%	R91	036-15100-10	RES M/F 0805 10K 1%
C22	015-06100-08	CAP CER 1206 100N 10% X7R 50V	R3	036-14100-10	RES M/F 0805 1K 1%	R92	036-15100-10	RES M/F 0805 10K 1%
C23	020-08470-45	CAP ELE RA 47M16V 6.3*6.5 5LS	R4	036-14680-10	RES M/F 0805 6K8 1%	R93	036-15100-10	RES M/F 0805 10K 1%
C24	015-23150-01	CAP CER 0805 150P 5% NPO 50V	R5	036-14270-10	RES M/F 0805 2K7 1%	R94	036-16100-10	RES M/F 0805 100K 1%
C25	015-25150-08	CAP CER 0805 15N 10% X7R 50V	R6	036-15100-10	RES M/F 0805 10K 1%	R95	036-15100-10	RES M/F 0805 10K 1%
C26	015-25150-08	CAP CER 0805 15N 10% X7R 50V	R7	036-13220-10	RES M/F 0805 220E 1%	R96	036-15100-10	RES M/F 0805 10K 1%
C27	015-06100-08	CAP CER 1206 100N 10% X7R 50V	R8	036-14220-00	RES M/F 0805 2K2 5%	R97	036-16330-00	RES M/F 0805 330K 5%
C28	020-09100-07	CAP ELECT 100M 10V 6.3*7MM	R9	036-15390-10	RES M/F 0805 39K 1%	R98	036-15100-10	RES M/F 0805 10K 1%
C29	015-06100-08	CAP CER 1206 100N 10% X7R 50V	R10	036-15330-10	RES M/F 0805 33K 1%	R99	036-16100-10	RES M/F 0805 100K 1%
C30	020-57470-10	CAP ELCT AI RDL 4U7 50V LO ESR	R11	036-15470-10	RES M/F 0805 47K 1%	R100	036-15100-10	RES M/F 0805 10K 1%
C31	020-58100-04	CAP ELE AI RDL 10M 16V 4X7MM	R13	036-15100-10	RES M/F 0805 10K 1%	R101	036-15100-10	RES M/F 0805 10K 1%
C32	015-06100-08	CAP CER 1206 100N 10% X7R 50V	R14	036-15820-00	RES M/F 0805 82K 5%	R102	036-16330-00	RES M/F 0805 330K 5%
C33	015-25150-08	CAP CER 0805 15N 10% X7R 50V	R15	036-15150-10	RES M/F 0805 15K 1%	R103	036-16100-10	RES M/F 0805 100K 1%
C34	015-23150-01	CAP CER 0805 150P 5% NPO 50V	R16	036-14100-10	RES M/F 0805 1K 1%	R104	036-14100-10	RES M/F 0805 1K 1%
C35	015-25150-08	CAP CER 0805 15N 10% X7R 50V	R17	036-16100-10	RES M/F 0805 100K 1%	R105	036-15470-10	RES M/F 0805 47K 1%
C36	015-06100-08	CAP CER 1206 100N 10% X7R 50V	R18	036-15100-10	RES M/F 0805 10K 1%	R106	036-15470-10	RES M/F 0805 47K 1%
C37	015-06100-08	CAP CER 1206 100N 10% X7R 50V	R19	036-15100-10	RES M/F 0805 10K 1%	R107	036-13100-10	RES M/F 0805 100E 1%
C38	020-57470-10	CAP ELCT AI RDL 4U7 50V LO ESR	R20	036-12100-10	RES M/F 0805 10E 1%	R108	036-13100-10	RES M/F 0805 100E 1%
C39	015-23150-01	CAP CER 0805 150P 5% NPO 50V	R21	036-15100-10	RES M/F 0805 10K 1%	R109	036-15100-10	RES M/F 0805 10K 1%
C40	015-24100-08	CAP CER 0805 1N 10% X7R 50V	R22	036-16100-10	RES M/F 0805 100K 1%	R110	036-13560-10	RES M/F 0805 560E 1%
C41	015-24100-08	CAP CER 0805 1N 10% X7R 50V	R23	036-15100-10	RES M/F 0805 10K 1%	R111	036-14470-10	RES M/F 0805 4K7 1%
C42	015-23150-01	CAP CER 0805 150P 5% NPO 50V	R24	036-15470-10	RES M/F 0805 47K 1%	R112	036-14100-10	RES M/F 0805 1K 1%
C43	020-57470-10	CAP ELCT AI RDL 4U7 50V LO ESR	R25	036-15220-00	RES M/F 0805 22K 5%	R113	036-15470-10	RES M/F 0805 47K 1%
C44	015-24100-08	CAP CER 0805 1N 10% X7R 50V	R26	036-17100-10	RES M/F 0805 1M 1%	R114	036-15180-10	RES M/F 0805 18K 1%
C45	015-25150-08	CAP CER 0805 15N 10% X7R 50V	R27	036-17100-10	RES M/F 0805 1M 1%	R115	036-14100-10	RES M/F 0805 1K 1%
C46	015-25150-08	CAP CER 0805 15N 10% X7R 50V	R28	036-17100-10	RES M/F 0805 1M 1%	R116	036-17100-10	RES M/F 0805 1M 1%
C47	015-06100-08	CAP CER 1206 100N 10% X7R 50V	R29	036-15100-10	RES M/F 0805 10K 1%	R117	036-15100-10	RES M/F 0805 10K 1%
C48	015-24100-08	CAP CER 0805 1N 10% X7R 50V	R30	036-14180-00	RES M/F 0805 1K8 5%	R118	036-16330-00	RES M/F 0805 330K 5%
C49	015-23150-01	CAP CER 0805 150P 5% NPO 50V	R31	036-17100-10	RES M/F 0805 1M 1%	R119	036-14100-10	RES M/F 0805 1K 1%
C50	015-25100-08	CAP CER 0805 10N 10% X7R 50V	R32	036-15100-10	RES M/F 0805 10K 1%	R120	036-15470-10	RES M/F 0805 47K 1%
C51	015-27100-10	CAP CER 0805 1M+80-20% Y5V 16V	R33	036-14270-10	RES M/F 0805 2K7 1%	R121	036-14680-10	RES M/F 0805 6K8 1%
C52	015-23150-01	CAP CER 0805 150P 5% NPO 50V	R34	036-14470-10	RES M/F 0805 4K7 1%	R122	036-14680-10	RES M/F 0805 6K8 1%
C53	015-23150-01	CAP CER 0805 150P 5% NPO 50V	R35	036-10000-00	RES M/F 0805 ZERO OHM	R123	036-15220-00	RES M/F 0805 22K 5%
C54	015-23150-01	CAP CER 0805 150P 5% NPO 50V	R36	036-16150-00	RES M/F 0805 150K 5%	R124	036-16470-00	RES M/F 0805 470K 5%
C55	015-23150-01	CAP CER 0805 150P 5% NPO 50V	R37	036-14100-10	RES M/F 0805 1K 1%	R125	036-16220-00	RES M/F 0805 220K 5%
C56	015-23150-01	CAP CER 0805 150P 5% NPO 50V	R38	036-16100-10	RES M/F 0805 100K 1%	R126	036-14100-10	RES M/F 0805 1K 1%
C57	015-23150-01	CAP CER 0805 150P 5% NPO 50V	R39	036-16220-00	RES M/F 0805 220K 5%	R127	036-15100-10	RES M/F 0805 10K 1%
C58	015-23150-01	CAP CER 0805 150P 5% NPO 50V	R40	036-17100-10	RES M/F 0805 1M 1%	R128	036-12100-10	RES M/F 0805 10E 1%
C59	015-23150-01	CAP CER 0805 150P 5% NPO 50V	R41	036-14100-10	RES M/F 0805 1K 1%	R129	036-14100-10	RES M/F 0805 1K 1%
C60	015-23150-01	CAP CER 0805 150P 5% NPO 50V	R42	036-15100-10	RES M/F 0805 10K 1%	R131	036-15100-10	RES M/F 0805 10K 1%
C61	020-57470-10	CAP ELCT AI RDL 4U7 50V LO ESR	R43	036-16100-10	RES M/F 0805 100K 1%	R132	036-16100-10	RES M/F 0805 100K 1%
C62	015-23150-01	CAP CER 0805 150P 5% NPO 50V	R44	036-15470-10	RES M/F 0805 47K 1%	R133	036-15100-10	RES M/F 0805 10K 1%
C63	015-25100-08	CAP CER 0805 10N 10% X7R 50V	R45	036-14100-10	RES M/F 0805 1K 1%	R134	036-16100-10	RES M/F 0805 100K 1%
C64	015-06100-08	CAP CER 1206 100N 10% X7R 50V	R46	036-13470-00	RES M/F 0805 470E 5%	R135	036-16100-10	RES M/F 0805 100K 1%
C65	015-24100-08	CAP CER 0805 1N 10% X7R 50V	R47	036-15220-00	RES M/F 0805 22K 5%	R136	036-16820-10	RES M/F 0805 820K 1%
C66	015-24100-08	CAP CER 0805 1N 10% X7R 50V	R48	036-16150-00	RES M/F 0805 150K 5%	R70A	036-18100-00	RES M/F 0805 10M 5%
C67	015-24100-08	CAP CER 0805 1N 10% X7R 50V	R49	036-15180-10	RES M/F 0805 18K 1%	R83A	036-15470-10	RES M/F 0805 47K 1%
C2A	015-25100-08	CAP CER 0805 10N 10% X7R 50V	R50	036-15100-10	RES M/F 0805 10K 1%			
C40A	015-23150-01	CAP CER 0805 150P 5% NPO 50V	R51	036-16150-00	RES M/F 0805 150K 5%	RV67	042-05100-06	RES PRE 10K CARBON 6MM FLAT
C41A	015-23150-01	CAP CER 0805 150P 5% NPO 50V	R52	036-15470-10	RES M/F 0805 47K 1%			
			R53	036-15100-10	RES M/F 0805 10K 1%	S1	240-10000-06	CONN SMD SKT 12W 2R M-MATCH
			R54	036-17100-10	RES M/F 0805 1M 1%	S5	240-10000-07	CONN SMD SKT 16W 2R M-MATCH
D1	001-10000-99	DIODE SMD BAV99 D-SW SOT23	R55	036-15100-10	RES M/F 0805 10K 1%			
D2	001-10000-99	DIODE SMD BAV99 D-SW SOT23	R56	036-15100-10	RES M/F 0805 10K 1%			
D3	001-10000-99	DIODE SMD BAV99 D-SW SOT23	R57	036-15820-00	RES M/F 0805 82K 5%			
D4	001-10084-51	DIODE ZENSMD BZX84C5V1 SOT23	R58	036-15100-10	RES M/F 0805 10K 1%			
D5	001-10000-99	DIODE SMD BAV99 D-SW SOT23	R59	036-16100-10	RES M/F 0805 100K 1%			
D6	001-10000-99	DIODE SMD BAV99 D-SW SOT23	R60	036-15100-10	RES M/F 0805 10K 1%			
D7	001-10084-36	DIODE ZENSMD BZX84C3V6 SOT23	R61	036-15100-10	RES M/F 0805 10K 1%			
D8	001-10000-99	DIODE SMD BAV99 D-SW SOT23	R62	036-16330-00	RES M/F 0805 330K 5%			
IC1	002-10003-24	IC SMD 324 4X O-AMP SO14	R63	036-16100-10	RES M/F 0805 100K 1%			
IC2	002-10040-53	IC 4053B SMD BREAK B4 MAKE	R64	036-14100-10	RES M/F 0805 1K 1%			
IC3	002-10003-24	IC SMD 324 4X O-AMP SO14	R65	036-14100-10	RES M/F 0805 1K 1%			
IC4	002-10003-24	IC SMD 324 4X O-AMP SO14	R66	036-15100-10	RES M/F			

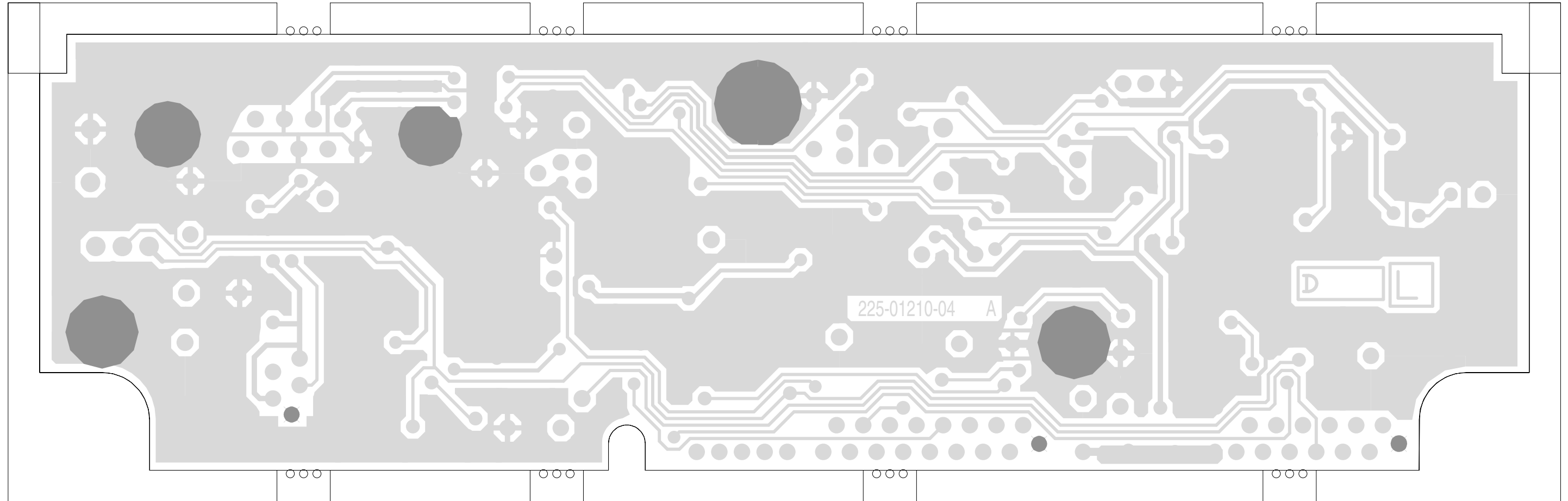
Device	PCB	Circuit	Device	PCB	Circuit	Device	PCB	Circuit	Device	PCB	Circuit
C1	1:K2	1-B9	IC1	1:J1	1-H8	R26	1:J2	1-J7	R112	1:D2	1-L3
C2	1:K2	1-B8	IC1	1:J1	1-F7	R27	1:H1	1-K8	R113	1:G2	1-M3
C2A	1:K2	1-B8	IC1	1:J1	1-E7	R28	1:H1	1-K9	R114	1:A1	1-J1
C3	1:K1	1-C7	IC2	1:G2	1-M9	R29	1:H1	1-K8	R115	1:G2	1-R4
C4	1:K1	1-B8	IC2	1:G2	1-E6	R30	1:H1	1-K7	R116	1:B2	1-Q9
C5	1:K1	1-C8	IC2	1:G2	1-F6	R31	1:H1	1-K7	R117	1:B2	1-R6
C6	1:K1	1-D8	IC2	1:G2	1-P0	R32	1:G1	1-L8	R118	1:B2	1-Q6
C7	1:J1	1-C9	IC3	1:E2	1-B5	R33	1:G1	1-L9	R119	1:B2	1-P7
C8	1:J1	1-E8	IC3	1:E2	1-G5	R34	1:H1	1-L7	R120	1:B1	1-P6
C9	1:J1	1-F8	IC3	1:E2	1-C5	R35	1:H1	1-L7	R121	1:B2	1-N7
C10	1:A2	1-R1	IC3	1:E2	1-E4	R36	1:H2	1-L7	R122	1:C2	1-N6
C11	1:J1	1-H8	IC3	1:E2	1-R0	R37	1:G1	1-M7	R123	1:B2	1-N7
C12	1:J2	1-H8	IC4	1:A2	1-D0	R38	1:F2	1-M8	R124	1:C2	1-N7
C13	1:H2	1-J8	IC4	1:A2	1-J0	R39	1:G2	1-H6	R125	1:C2	1-M6
C14	1:H1	1-K9	IC4	1:A2	1-F1	R40	1:G1	1-M9	R126	1:C2	1-K4
C15	1:H2	1-J7	IC4	1:A2	1-H1	R41	1:H2	1-M3	R127	1:D1	1-J3
C16	1:G1	1-K7	IC4	1:A2	1-R0	R42	1:G2	1-M8	R128	1:E1	1-J4
C17	1:H2	1-K7	IC5	1:C2	1-L5	R43	1:F2	1-G6	R129	1:E1	1-H5
C18	1:G1	1-N9	IC5	1:C2	1-P5	R44	1:E2	1-G3	R131	1:B2	1-R7
C19	1:G1	1-N9	IC5	1:C2	1-M4	R45	1:K1	1-M1	R132	1:B2	1-Q7
C20	1:C1	1-L0	IC5	1:C2	1-N5	R46	1:K2	1-M2	R133	1:B2	1-N8
C21	1:C1	1-P5	IC5	1:C2	1-R0	R47	1:E1	1-A6	R134	1:F2	1-D6
C22	1:C1	1-M0	IC6	1:B1	1-L0	R48	1:F1	1-B6	R135	1:B2	1-P6
C23	1:C1	1-M0	IC7	1:B2	1-Q7	R49	1:E1	1-B4	R136	1:F1	1-D5
C24	1:F1	1-G6	IC7	1:B2	1-N0	R50	1:E1	1-B4			
C25	1:E1	1-B6	IC7	1:B2	1-N6	R51	1:E1	1-B5	RV67	1:E2	1-C3
C26	1:E1	1-B6	IC7	1:B2	1-P8	R52	1:E2	1-F4			
C27	1:E1	1-C5	IC7	1:B2	1-Q0	R53	1:F1	1-C5	S21	1:J2	2-J3
C28	1:K2	1-N1	IC8	1:K2	1-M2	R54	1:F1	1-C5	SKT2	1:J1	2-J4
C29	1:F1	1-D5				R55	1:F1	1-C5			
C30	1:E2	1-F4	LNK1	1:F1	1-Q2	R56	1:F1	1-C6	T	1:A1	2-L2
C31	1:D2	1-H4	LNK1A	1:F1	1-P2	R57	1:F1	1-D5	TP1	1:K1	1-C7
C32	1:H1	1-K4	LNK1B	1:F1	1-Q2	R58	1:F1	1-D4	TP2	1:J2	1-J9
C33	1:A1	1-K0	LNK1C	1:F1	1-Q2	R59	1:F1	1-E4	TP3	1:E1	1-C5
C34	1:K1	1-L1	LNK1D	1:F1	1-Q2	R60	1:F2	1-E4	TP4	1:F2	1-D4
C35	1:A1	1-H1	LNK2	1:G1	1-L7	R61	1:F2	1-E5	TP5	1:E2	1-G4
C36	1:A1	1-G1	LNK2A	1:G2	1-L7	R62	1:F2	1-E4	TP6	1:E2	1-G3
C37	1:A2	1-E0	LNK3	1:C2	1-M4	R63	1:F2	1-F4	TP7	1:A1	1-F0
C38	1:A2	1-B0	LNK3A	1:C2	1-M4	R64	1:F2	1-F5	TP8	1:A2	1-D1
C39	1:F2	1-E5	LNK4	1:G2	1-N4	R65	1:E2	1-D4	TP9	1:G1	1-P9
C40	1:H2	1-B2	LNK4A	1:G2	1-N4	R66	1:D2	1-C4			
C40A	1:H2	1-A2	LNK4B	1:G2	1-N4	R67	1:E2	1-G5			
C41	1:H2	1-B3	LNK5	1:C2	1-Q8	R68	1:F2	1-D3			
C41A	1:H2	1-A3	LNK5A	1:C2	1-Q8	R69	1:E2	1-H5			
C42	1:A2	1-D0	LNK5B	1:C2	1-R8	R70	1:E2	1-H4			
C43	1:G2	1-P3				R70A	1:E2	1-G4			
C44	1:J2	1-A8	P13	1:B1	2-L3	R71	1:E1	1-J5			
C45	1:B2	1-H0	P14	1:E1	2-L4	R72	1:D1	1-J5			
C46	1:B1	1-G0				R73	1:D1	1-K5			
C47	1:K2	1-L1	Q1	1:K1	1-C8	R74	1:D1	1-K4			
C48	1:K2	1-M1	Q2	1:H2	1-J8	R75	1:C2	1-L5			
C49	1:K2	1-N1	Q3	1:G1	1-L8	R76	1:F2	1-M7			
C50	1:B2	1-Q8	Q4	1:H2	1-M7	R77	1:C2	1-N2			
C51	1:C2	1-P6	Q5	1:G2	1-M8	R78	1:D2	1-N5			
C52	1:F2	1-P7	Q6	1:E1	1-J5	R79	1:C1	1-R5			
C53	1:G1	1-L8	Q7	1:D1	1-K5	R80	1:D1	1-P4			
C54	1:A1	1-G1	Q8	1:D2	1-P5	R81	1:C1	1-Q5			
C55	1:F1	1-P0	Q9	1:D1	1-Q5	R82	1:D2	1-Q5			
C56	1:B2	1-B6	Q10	1:D2	1-K3	R83	1:C2	1-L3			
C57	1:F1	1-C6	Q11	1:G2	1-G6	R83A	1:C2	1-L2			
C58	1:H1	1-H6	Q12	1:E2	1-C3	R84	1:B1	1-K1			
C59	1:H2	1-Q9	Q13	1:G2	1-R4	R85	1:A1	1-K1			
C60	1:D1	1-R6	Q14	1:E1	1-J3	R86	1:A1	1-J0			
C61	1:D1	1-K3				R87	1:B2	1-H0			
C62	1:B2	1-R7	R1	1:K2	1-A9	R88	1:B2	1-H1			
C63	1:B2	1-Q8	R2	1:K2	1-C9	R89	1:B2	1-H0			
C64	1:B2	1-N8	R3	1:K2	1-B8	R90	1:A2	1-G1			
C65	1:J1	2-F2	R4	1:K1	1-B8	R91	1:B2	1-G0			
C66	1:J1	2-F2	R5	1:K1	1-B7	R92	1:B1	1-J0			
C67	1:J1	2-E2	R6	1:K1	1-C8	R93	1:A1	1-F1			
			R7	1:K1	1-C9	R94	1:A1	1-F1			
D1	1:F2	1-F5	R8	1:K1	1-C8	R95	1:A1	1-F1			
D1	1:F2	1-F5	R9	1:H1	1-D7	R96	1:A1	1-F2			
D2	1:E2	1-H5	R10	1:K1	1-E9	R97	1:A1	1-E1			
D2	1:E2	1-H5	R11	1:G2	1-P3	R98	1:A1	1-E0			
D3	1:A2	1-C0	R13	1:K1	1-E7	R99	1:A2	1-E0			
D3	1:A2	1-C1	R14	1:J1	1-F7	R100	1:A2	1-D0			
D4	1:E2	1-A0	R15	1:J1	1-F9	R101	1:A2	1-D0			
D5	1:E2	1-F4	R16	1:G2	1-P4	R102	1:A2	1-C0			
D5	1:E2	1-E4	R17	1:H1	1-K2	R103	1:A2	1-C0			
D6	1:B2	1-Q7	R18	1:J1	1-F7	R104	1:A2	1-C0			
D6	1:B2	1-Q7	R19	1:J1	1-G9	R105	1:A2	1-B0			
D7	1:B1	1-P6	R20	1:C1	1-L0	R106	1:D2	1-K2			
D8	1:C2	1-N6	R21	1:J2	1-G7	R107	1:H2	1-B2			
D8	1:C2	1-M6	R22	1:J1	1-H8	R108	1:H2	1-B3			
			R23	1:J2	1-H7	R109	1:D2	1-C3			
IC1	1:J1	1-K8	R24	1:J2	1-J8	R110	1:E2	1-D3			
IC1	1:J1	1-Q0	R25	1:H2	1-J8	R111	1:G2	1-R4			

Mechanical Parts and Miscellaneous Parts

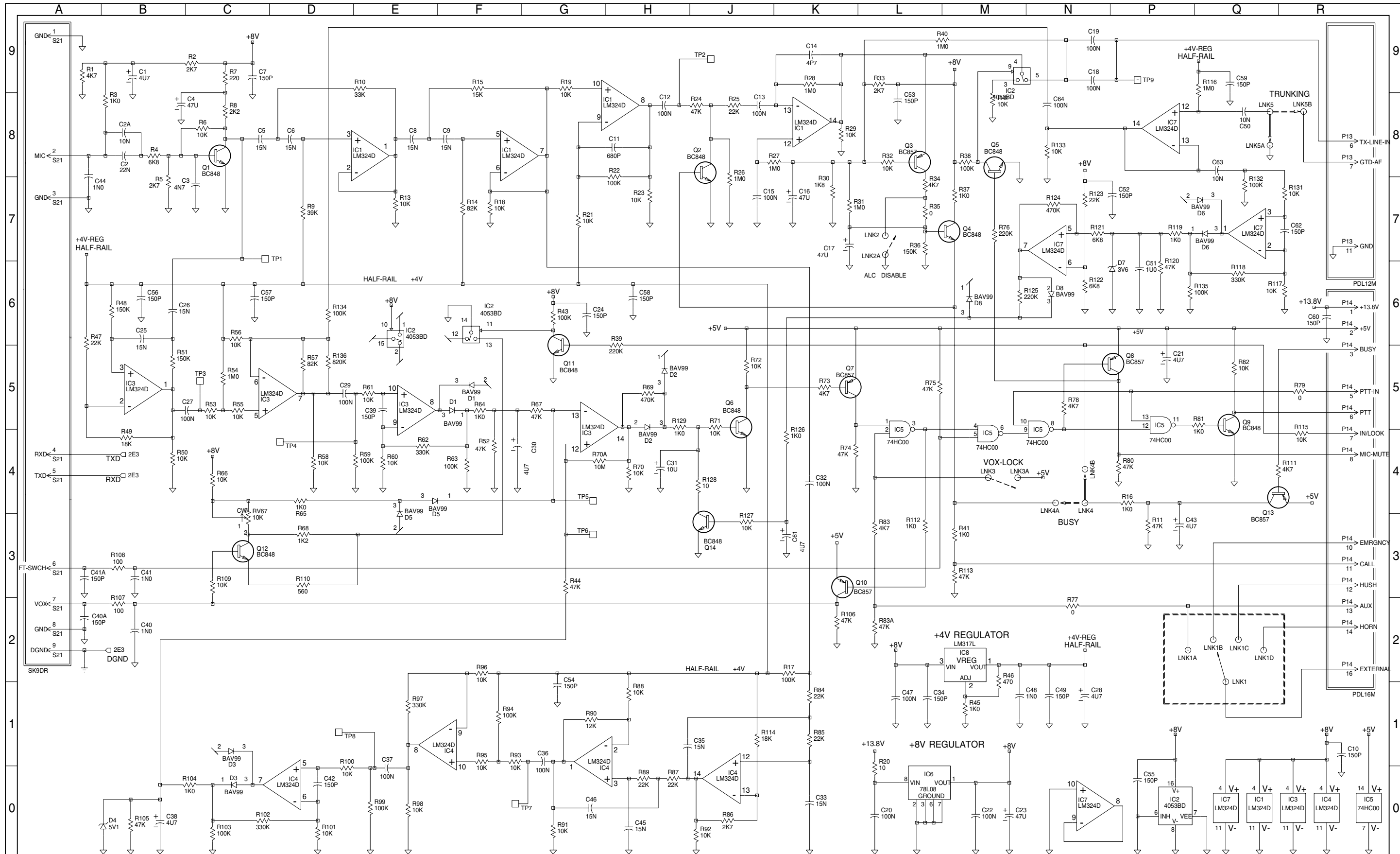
IPN	Description
201-00030-01	WIRE T/C 7/0.2MM PVC BROWN
201-00030-02	WIRE T/C WIRE 7/0.2MM PVC RED
201-00030-03	WIRE T/C 7/0.2MM PVC ORANGE
201-00030-06	WIRE T/C 7/0.2MM PVC BLUE
201-00030-07	WIRE T/C 7/0.2MM PVC VIOLET
201-00030-08	WIRE T/C 7/0.2MM PVC GREY
205-00010-12	CBLE FLAT 16CORE 16/7/0.1 GREY
225-01210-04	PCB T2000 HANDS FREE MIC
236-00000-10	SWITCH FOOT OPERATED
240-00010-40	PLUG 9 W DRANGE SUBMIN
240-00010-45	SKT 9 W D RANGE 90 DEG.PCB
240-00020-54	PLUG 16 W 2X8 M-MATCH
240-00026-24	CONN PADLE BRD 16 W M-MATCH
240-02020-37	SKT 2.5MM INLINE MIN JACK
240-04020-84	SKT 4W PCB MTG STAG PINS M-MAT
240-04021-63	CONN 2W 24AWG BLK INLINE
240-06010-29	HOOD/COV 9WLONG EAR THUMB SCR
252-00010-72	MIC ELEC UNIDIR 2.5MM PLUG
345-00051-00	SCRW PTDG 30*06 P/TORX BZ LUBE
349-00020-07	SCRW T/T 4-40*5/16" P/POZI BLK
354-01041-00	FASTENER SCREWLOCK KIT 4-40
365-00011-38	LABEL STATIC WARNING YELLOW
365-00011-54	LABEL R1556/2 90*24MM WHITE
365-01689-00	LABEL RED VOX 20X5MM
369-00010-13	TIE CABLE NYLON 175*5MM
399-00010-52	BAG PLASTIC 100*150MM
399-00010-88	BAG STATIC SHIELDING 152*254MM
410-00010-60	CTN 150X112X56MM VICTOR
418-25000-04	FTTNG INS T2000-50/-A51 HF
458-25000-02	USER GUIDE T2000-A50/A51



TAIT ELECTRONICS	IPN: 225-01210-04	ISS: A	ID: 1.TA	DATE: 20 Oct 1998
T2000HNSDFRE PCB LAYOUT - TOP SIDE				



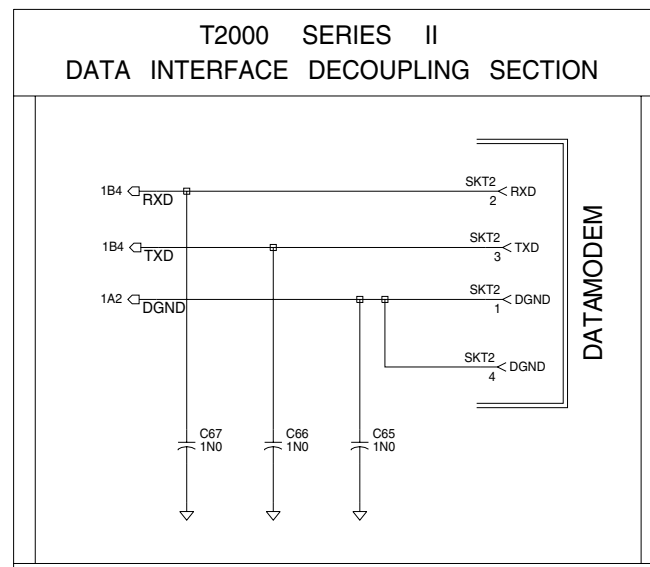
TAIT ELECTRONICS	IPN: 225-01210-04	ISS: A	ID: 2.BA	DATE: 20 Oct 1998
T2000HNSFRE PCB LAYOUT - BOTTOM SIDE				



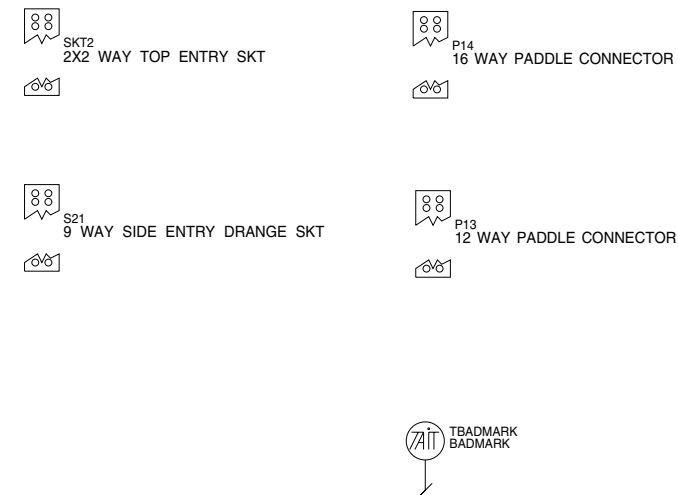
© TAIT ELECTRONICS	
HANDSFREE T2000-VOX	
IPN: 225-01210-04	ISSUE: A
PROJECT: T2000	DESIGNER: RPS
FILE NAME: 121004A	FILE DATE: 30/7/97
NO.SHEETS: 2	NO.SHEETS: 2

LINK NO	1	2	3	4	5
FUNCTION	EXTERNAL *	ALC-CONTROL	VOX-CONTROL	BUSY-CONTROL	RX-AUDIO INHIBIT
POSITION A	AUXILLARY	DISABLED	LOCKED ON	VOX-MUTED	DISABLED
B	EMERGENCY	■	■	VOX-INHIBIT	ENABLED
C	HUSH	■	■	■	■
D	HORN	■	■	■	■
NO LINK	DISABLED	ENABLED	AUX-CONTROL	DISABLED	■

* SIGNAL TO POWER-CONNECTOR P3/PIN-1 (ON MAIN RF PCB).



THIS SECTION IS ONLY USED IN CONJUNCTION WITH THE UART PCB (220-01348-04)



4A	ADD DATA INTERFACE DECOUPLING	RPS			30/07/97
3B	ADDED LINK-TABLE, SHEET-2	J.F.	J.F.	S.HEALD	12/5/93
REV/ISS	AMENDMENTS	DRAWN	CHKD	D.O.	APVD DATE

© TAIT ELECTRONICS					
T2000 HANDS FREE PCB LINK-TABLE					
IPN:	225-01210-04	ISSUE:	A	ID:	2
PROJECT:	T2000	DESIGNER:	JOE	FILE NAME:	121004A
		FILE DATE:	30/7/97	NO SHEETS:	2